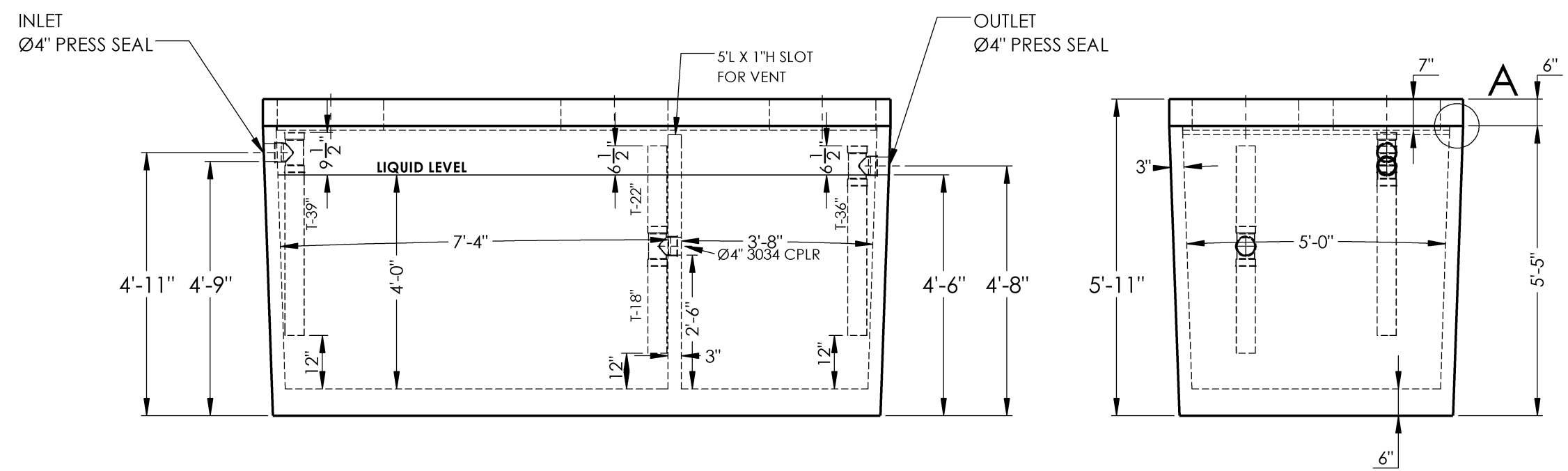


JOINT DETAIL A



CONCRETE:
TANK CONSTRUCTION UTILIZES 4000 PSI CONCRETE AND GRADE 60 REBAR.

GALLON CALCS:
5'-0" W x 7'-4" L x 4'-0" H x 7.48 = 1096 GALLONS
5'-0" W x 3'-8" L x 4'-0" H x 7.48 = 548 GALLONS

RISERS:
PVC : Ø24" & FIB. COVER (TO GRADE)
CONCRETE: Ø24" x 8" OR 12" (6" BELOW GRADE)

BEDDING :
4" PEA GRAVEL OR COMPACTED CRUSHED GRAVEL (NO WATER PRESENT)

EXCAVATION:
12" LARGER EACH WAY THAN TANK DIM.
MAX COVER ON TOP 5'-0"

NOTES:
REINFORCEMENT:
-#5 BARS @ 6" O.C.E.W. IN TOP, (2)
#4 EACH SIDE OF ACCESS
-6X6 10 GA WIRE MESH IN SIDES UP 12" FROM BOTTOM
-6X6 10 GA WIRE MESH IN BOTTOM
-#3 BAR 12" DOWN FROM TOP
HORIZONTAL CONTINUOUS LOOP



2215 E. BROOKLYN AVE
SPOKANE, WA 99217
TOLL FREE 1-800-888-4573
(509) 325-4573 FAX (509) 325-5098
SPOKANE - LEWISTON - YAKIMA
www.wilbertprecast.com

TITLE:		1500 GALLON DOUBLE COMPARTMENT MONO GREASE INTERCEPTOR - HEAVY	
SIZE	DWG. NO.	SCALE:	DATE:
B	#1634MGTBWA 4"	NTS	2/24/2023

DRAWN BY:
DCR